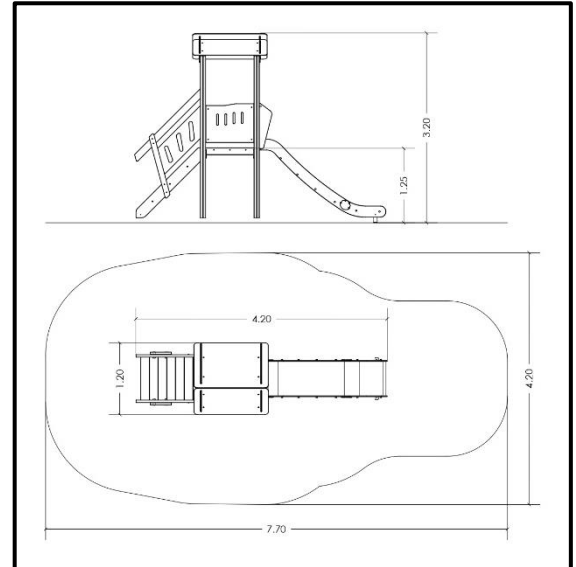


S019

Complex Structure Classic Series

INFORMATION ABOUT PRODUCT

Minimum Space	770x420x320 cm
Impact Protection net	25,5 m ²
Dimensions	420x120 cm
Overall Height	320 cm
Free falling height	125 cm
Foundations	8 pcs
σAvailability of spare parts	YES
Product complies with EN 1176	YES
Age range	3-14
Amount of users	5



MATERIALS

- Posts: Laminated pine wood 95x95mm
- Post cups made of Fiber - Reinforced Plastic
- Floors: HPL Antiskid 12mm (EXT)
- Panels: HPL 12mm (EXT)
- Slide Side Panels / Panels that experience forces: HPL 18mm (EXT)
- Sliding Surface: GFRP (Glass Fiber Reinforced Polyester) t=4.5mm
- Wooden elements: Pine wood
- Metal Parts (colored): Hot Dip Galvanized and powder coated Steel
- Metal Parts (non - colored): Hot Dip Galvanized (plain) or Stainless Steel (304 / 316L)
- Steel Ropes apparatus: Steel core ropes braided with polypropylene (DIA 16mm). Solid and aesthetic connectors made of injection molded durable plastic / end-connectors and sleeves made of durable aluminum alloy.
- All other plastic elements: Fiber reinforced plastic
- Transparent Parts: Clear Polycarbonate material (t=5mm)
- Fasteners: Electroplated coated or Stainless Steel (304 / 316L)
- Moveable steps: Steps with Aluminum core covered with EPDM rubber
- Chains: Hot Dip Galvanized (plain) or Stainless Steel (304 / 316L) / Dia 6mm / According to DIN 766
- Plastic Tunnel: Co-Extruded stabilized HDPE, consisting of two walls (one corrugated exterior and one smooth interior) / SN 8 Stiffness / According to EN 13476-3



Please note that the above list of materials concerns the articles of the whole series. Therefore, some of them are not used in the described article.